

@ Perkins

1000 Series Diesel engine - ElectropaK 1006TAG 133.5 kWm 1500 rev/min 147.0 kWm 1800 rev/min

The Perkins 1000 Series family of ElectropaK engines are renowned throughout the power generation industry for their superior performance and reliability.

The 1006TAG is a turbocharged, 6 cylinder, 6 litre engine. Its premium design features provide economic and durable operation offering the ideal characteristics for electrical power generation.

Economic power

Single side servicing for reduced service time and cost.

Unique Fastram combustion system enables high power output plus low fuel consumption.

Electronic governor gives close control and means that the rated speed can be set at site to either 1500 rpm or 1800 rpm allowing standard builds to operate at either 50 Hz or 60 Hz.

Clean, efficient power

Operator and environmentally friendly with low noise, rapid startability and low emissions that satisfy TA Luft requirements.

Durable power

Maximum cooling efficiency is provided by a gear driven water pump and independent fan drive.

Leak free operation is ensured by Viton crankshaft seals and sophisticated controlled swell joints, giving protection in the toughest conditions.

Inserted valve seats, oil spray cooled pistons and compact plate cooler give enhanced engine life.

Reliable power

Wherever a Perkins' Electropak engine is put into service, it will never be far from the support provided by a global network of 4,000 distributors and dealers, all backed by a parts distribution centre giving 24 hour service, 365 days a year.

Suitable for operation in ambient temperatures up to 52°C (46°C if a canopy is fitted).

Fuelled starting aid for temperatures down to -20°C.

Engine Speed (rev/min)	Type of Operation	Typical Generator Output (net)		Engine Power			
				Gross		Net	
		kVA	kWe	kWm	bhp	kWm	bhp
1500	Prime Power	136.0	109.0	127.5	171.5	121.0	162.5
	Standby Power	150.0	120.0	140.0	187.5	133.5	179.0
1800	Prime Power	151.0	120.5	143.0	194.0	134.0	180.0
	Standby Power	165.5	132.5	157.5	212.0	147.0	197.0

All ratings data based on operation under ISO 3046 conditions using typical fan sizes and drive ratios. For operation outside of these conditions please consult your Perkins contact.

Performance tolerance quoted by Perkins is ±5%.

Electrical ratings assume a power factor of 0.8 and a generator efficiency of 90%.

Fuel specification: BS2869 Part 2 1998 Class A2 or ASTM D975 D2

Lubricating oil: A single or multigrade oil to ACEAE1 E2 or API CD/SD

Rating Definitions

Prime power: Power available at variable load in lieu of main power network. An overload of 10% is permitted for one hour in every twelve hours of operation.

Standby power: Power available at variable load in the event of a main power network failure. No overload is permitted.

1000 Series 1006TAG

Standard ElectropaK Specification

Air Inlet

Mounted air filter and turbocharger

Fuel System

Rotary fuel injection pump
Electronic governor – speed control to BS5514 Class A0, ISO 3046-4M3
Twin spin-on full flow fuel oil filter and pre-filter
Cold start aid

Lubrication System

Flat bottomed aluminium sump
Spin-on full flow oil filters
Oil cooler

Cooling System

Thermostat controlled cooling system with gear driven water pump
Fan drive and 25" pusher fan
Radiator (and piping) with fan guards incorporating air-to-air charge cooler

Electrical System

12 Volt starter motor and 55 Amp alternator
Oil pressure switch and coolant temperature switch
12 Volt shut off solenoid – energised to run

Flywheel and Housing

Cast iron SAE 3 flywheel housing
Flywheel to SAE J620 size 10 / 11½

Mountings

Front engine mountings

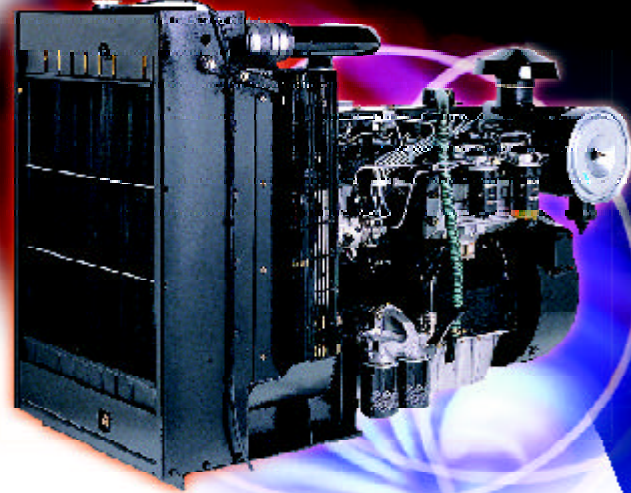
Optional Equipment

24 Volt alternator
24 Volt starter motor
Water temperature gauge and sender
Heater/starter switch
Rear engine mountings
Workshop manual
Parts book
User handbook

@ Perkins

Perkins Engines Company Limited
Peterborough PE1 5NA
United Kingdom
Telephone +44 (0)1733 583000
Fax +44 (0)1733 582240
www.perkins.com

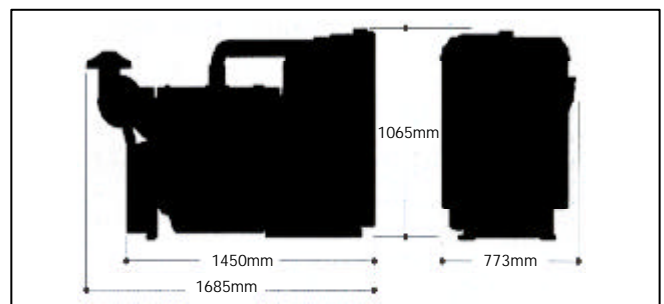
All information in this leaflet is substantially correct at the time of printing but may be changed subsequently by the Company



General Data

Number of Cylinders	6
Cylinder Arrangement	Vertical in-line
Cycle	4 stroke
Induction System	Turbocharged, air-to-air aftercooled
Combustion System	Direct injection
Cooling System	Water-cooled
Displacement	5.99 litres
Bore and Stroke	100.0 mm x 127.0 mm
Compression Ratio	17.0:1
Direction of Rotation	Clockwise, viewed from the front
Firing Order	1,5,3,6,2,4
Total Lubrication System Capacity	19.0 litres
Coolant Capacity (inc radiator)	37.22 litres
Total Weight (dry)	586 kg
Total Weight (wet)	630 kg
Length	1685 mm
Width	773 mm
Height	1065 mm

Fuel Consumption Litres/Hour (UK gallons/hour)		
Power rating %	1500 rev/min	1800 rev/min
110	34.6 (7.6)	41.3 (9.1)
100	31.5 (6.9)	37.6 (8.3)
75	24.1 (5.3)	28.9 (6.4)
50	16.5 (3.6)	19.4 (4.3)



Distributed by